

CAT 40 V-INTERLOC MASTER UNIT

* Assembles with IXS shanks *

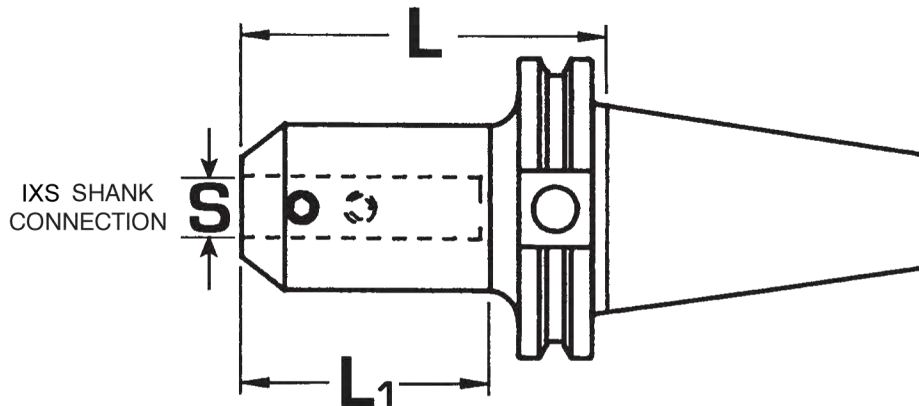
"INTERLOC DRIVE SYSTEM"



INTERLOC
CAT 40V
FLANGE

SHANK SIZE
DIAMETER

IC4V-S750



CONNECTS WITH IXS SHANKS (IXS SHANKS PAGES 10-11)

❖ Cooling through shanks available

▲ Custom lengths available

CATALOG NUMBER	SHANK SIZE (S)	LENGTH (L)	LENGTH (L ₁)	LOCK SCREW NUMBER	"T" HANDLE ALLEN WRENCH
IC4V-S750	.750	2.750	1.900	TS-375	3/16
IC4V-S100	1.000	2.950	2.150	TS-500S	1/4
IC4V-S125	1.250	3.050	2.300		